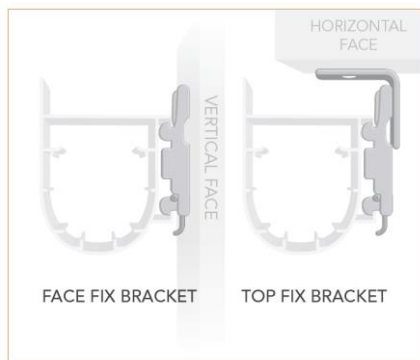


DIY Roman install guide

Thanks for choosing Urban Curtains + Blinds for your new blinds. To help you out we have created this easy to follow install guide.



For each blind you will have received a set of brackets. These brackets should only be fixed in the in the direction shown.

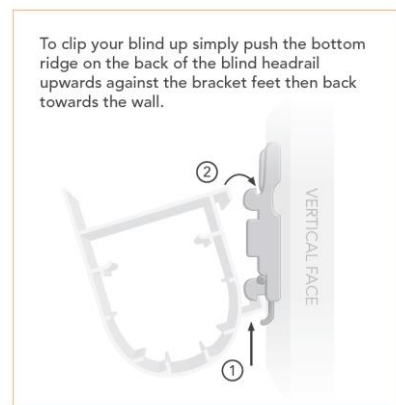
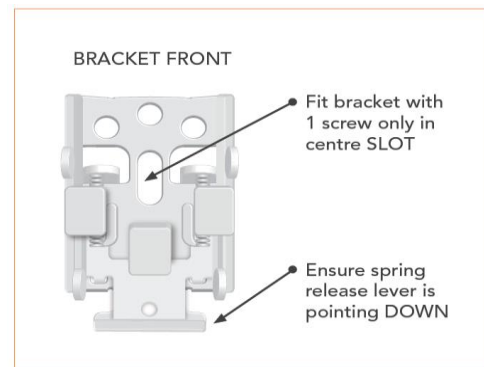


Establish the finished height that you require your blind to be hung. We suggest drawing a light level pencil line.

It's highly recommended you use a level to ensure your line is straight and level.

Then you will need to measure and mark the width of your blind on the wall. This is so you know where your blind will start and finish in width. This can also be marked with a small pencil line.

The brackets will need to be screwed to the wall 2mm below the line you have drawn and evenly spaced along the width of your blind. Count how many brackets you have and attach them starting 100mm in from each end of the width of your blind. Space the remaining brackets (if any) at even intervals.



Once the blind is clipped onto the bracket it can be slid sideways into the desired location.

Done! You can now start enjoying your new blinds. Please remember if you get stuck or have any questions - give us a call.

**Thanks,
From the team at
Urban Curtains + Blinds**